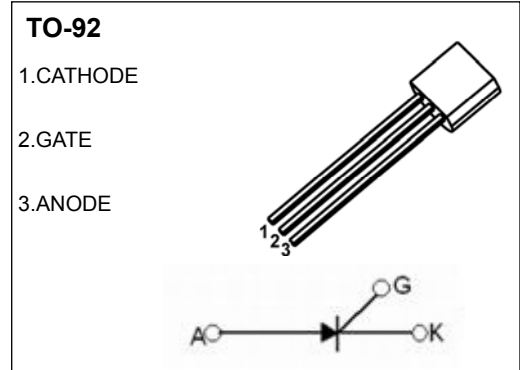


TO-92 Plastic-Encapsulate Thyristors

PCR0.6 Silicon Controlled Rectifier

MAIN FEATURES

Symbol		Value	Unit
$I_{T(RMS)}$		0.6	A
V_{DRM}	PCR406	400	V
	PCR606	600	
T_j	Junction Temperature	-40 ~ 125	°C
T_{stg}	Storage Temperature	-40 ~ 150	°C



DESCRIPTION

Logic level sensitive gate triac intended to be interfaced directly to microcontrollers, logic integrated circuits and other low power gate trigger circuits.

FEATURES

- Blocking voltage to 400 V (PCR406)
- RMS on-state current to 0.6 A
- General purpose switching

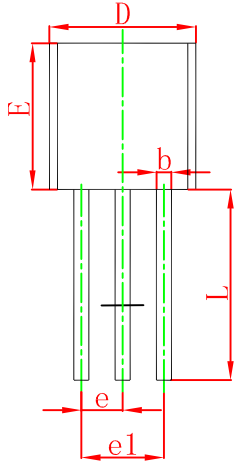
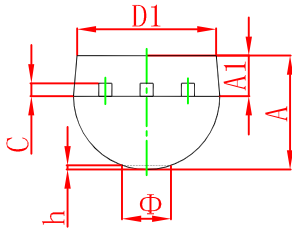
APPLICATIONS

- General purpose switching
- Phase control applications
- Solid state relays

ELECTRICAL CHARACTERISTICS ($T_a=25^\circ\text{C}$ unless otherwise specified)

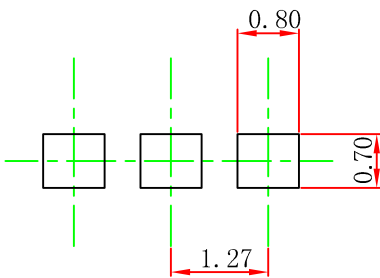
Parameter	Symbol	Test conditions	Min	Max	Unit	
On state voltage	V_{TM}	$I_{TM}=0.6\text{A}$		1.7	V	
Gate trigger voltage	V_{GT}	$V_{AK}=7\text{V}$		0.8	V	
Repetitive peak off-state voltage	$V_{DRM(PCR406)}$	$I_{DRM}=10\mu\text{A}$	400		V	
	$V_{DRM(PCR606)}$		600		V	
Holding current	I_H	$I_{HL}=20\text{ mA}, V_{AK}=7\text{ V}$		5	mA	
Gate trigger current	I_{GT}	$V_{AK}=7\text{V}$	A2	5	15	μA
			A1	15	40	μA
			A-1	40	60	μA
			A-2	60	80	μA
			B	80	120	μA

TO-92 Package Outline Dimensions



Symbol	Dimensions In Millimeters		Dimensions In Inches	
	Min	Max	Min	Max
A	3.300	3.700	0.130	0.146
A1	1.100	1.400	0.043	0.055
b	0.380	0.550	0.015	0.022
c	0.360	0.510	0.014	0.020
D	4.300	4.700	0.169	0.185
D1	3.430		0.135	
E	4.300	4.700	0.169	0.185
e	1.270 TYP		0.050 TYP	
e1	2.440	2.640	0.096	0.104
L	14.100	14.500	0.555	0.571
Φ		1.600		0.063
h	0.000	0.380	0.000	0.015

TO-92 Suggested Pad Layout



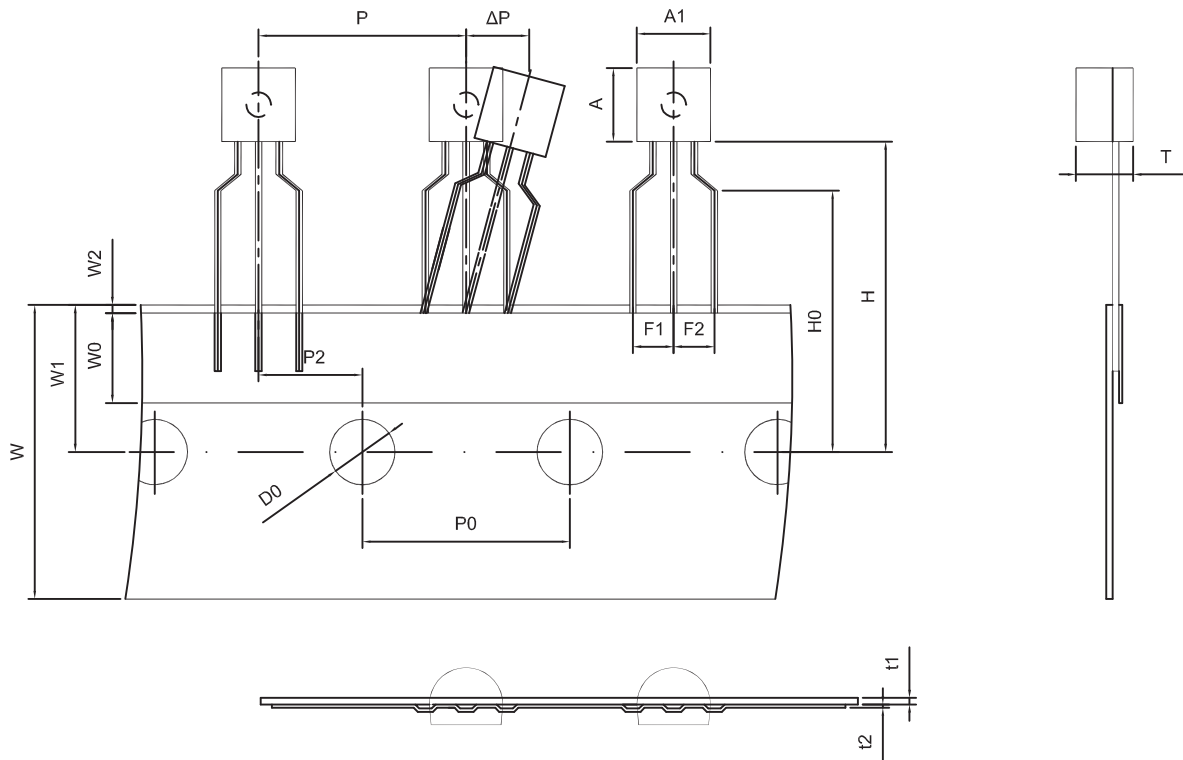
Note:

1. Controlling dimension: in millimeters.
2. General tolerance: $\pm 0.05\text{mm}$.
3. The pad layout is for reference purposes only.

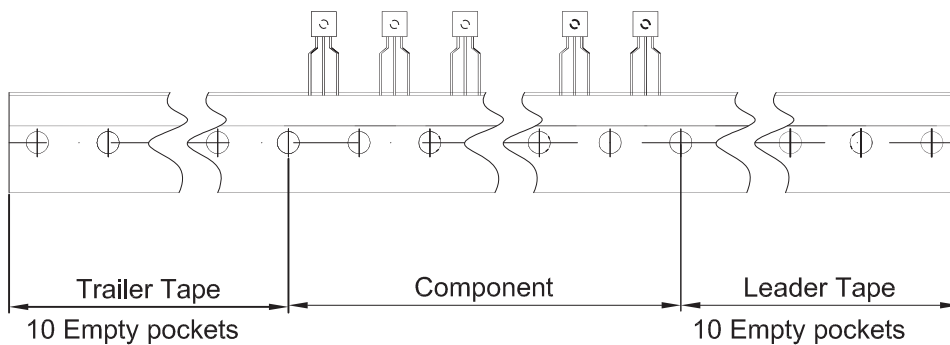
NOTICE

JCET reserve the right to make modifications, enhancements, improvements, corrections or other changes without further notice to any product herein. JCET does not assume any liability arising out of the application or use of any product described herein.

TO-92 PACKAGE TAPEING DIMENSION



Dimiensions are in millimeter								
A1	A	T	P	P0	P2	F1	F2	W
4.5	4.5	3.5	12.7	12.7	6.35	2.5	2.5	18.0
W0	W1	W2	H	H0	D0	t1	t2	ΔP
6.0	9.0	1.0 MAX.	19.0	16.0	4.0	0.4	0.2	0



Package	Box	Box Size(mm)	Carton	Carton Size(mm)
TO-92	2000 pcs	333×162×43	20,000 pcs	350×340×250